

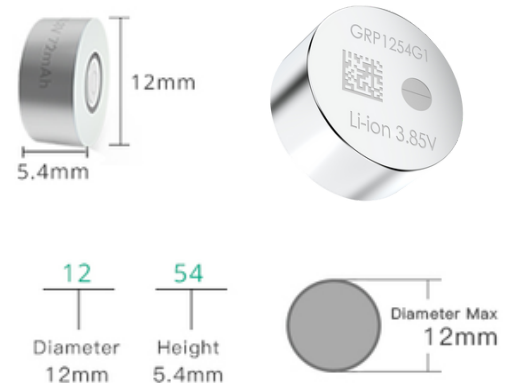
Battery Specifications

| | |
|-------------------------|----------------------------------------|
| Model No.: | GRP1254G1 |
| Chemistry: | LiCoO2 |
| Nominal Voltage [V]: | 3.85 |
| Nominal Capacity [mAh]: | 75 (at 0.2C from 4.4V to 3.0V at 25°C) |
| Minimum Capacity [mAh]: | 73 (at 0.2C from 4.4V to 3.0V at 25°C) |
| Watt Hour [Wh]: | 0.289Wh |
| Internal Impedance [Ω]: | < 0.18 @1kHz |



Dimensions (without Tags)

| | |
|---------------------|-----------|
| Diameter [mm]: | 12.1±0.1 |
| Height [mm]: | 5.45±0.15 |
| Weight. approx [g]: | 1.80±0.15 |



Charging Specifications

| | |
|-------------------------------|---------------------|
| Max Voltage [V]: | 4.40 |
| Normal Charging Current [mA]: | 37.5mA / 0.5C / 3hr |
| Max Charging Current [mA]: | 225mA / 3C / 1.1hr |
| Charging Temperature [°C]: | 0 to 45 |

Discharging Specifications

| | |
|--------------------------------|--------------------------------------------------------------|
| Cut Off Voltage [V]: | 3.0 |
| Max. Discharging Current [mA]: | 2.0C / 150 mA (Continuous) 5.0C / 375 mA (Non-Continuous) |
| Discharging Temperature [°C]: | -20 to 60 |

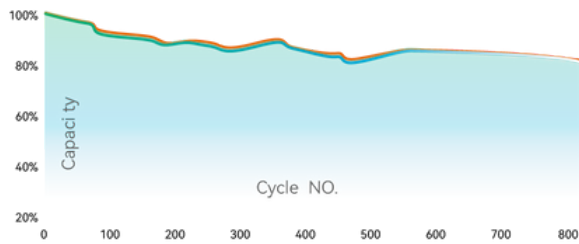
Others

| | | |
|---------------------------------|----------------------------------|----------------------|
| Storage Temperature [°C] | 1 Year | at -20 to 20°C > 90% |
| Capacity Recovery Rate [%] | 3 Months | at -20 to 45°C > 90% |
| | 1 Month | at -20 to 60°C > 85% |
| Cycle Life 1C/1C, 20°C [Cycles] | > 500 (>80% of initial capacity) | |
| Safety | UN 38.3 passed, IEC 62133 passed | |

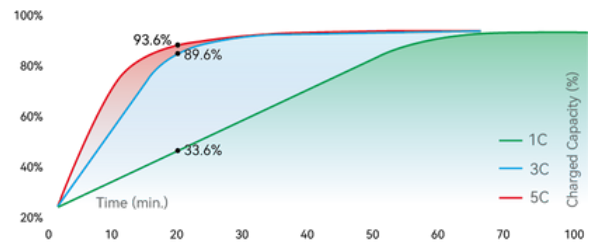
** Information and contents on this data sheet are for reference purposes only. This sheet does not constitute any warranty or representation and are subject to change without notice. For the most up to date information and details, please contact your Grepow representative.

Cycle Test

1C charging/discharge, ≥80% of initial capacity after 800 cycles



Charging Test

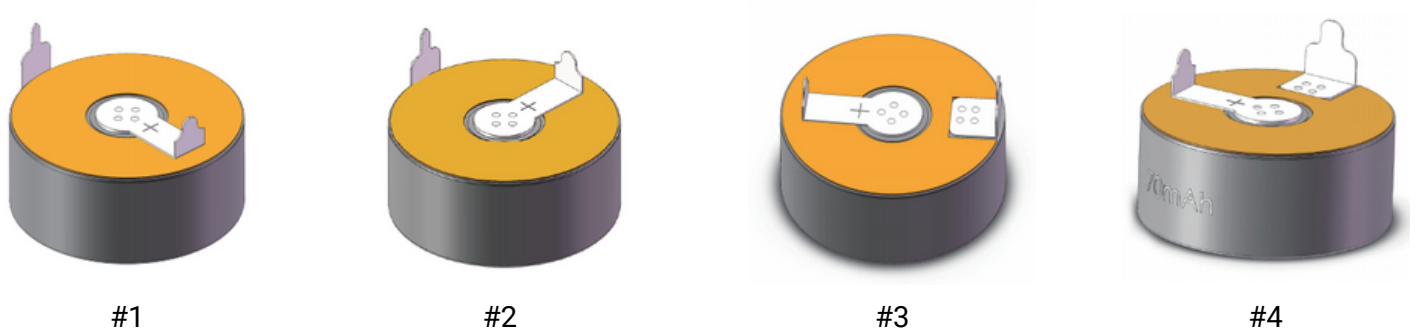


Battery Connection Solutions (For Button Cell battery)

Hardwire Solutions



Tab Solutions



China

Shenzhen Grepow
Battery Co. Ltd.

+86-755-88376378

Unite State

Grepow INC.

+1-925-364-7166

Germany

Genspow Ltd.

+49-(0)218-25700755

Official Website:

www.grepow.com

Email:

Business: info@grepow.com
Media/Marketing: pr@grepow.com